

BKN - RK2088 - Kit de freno premontado

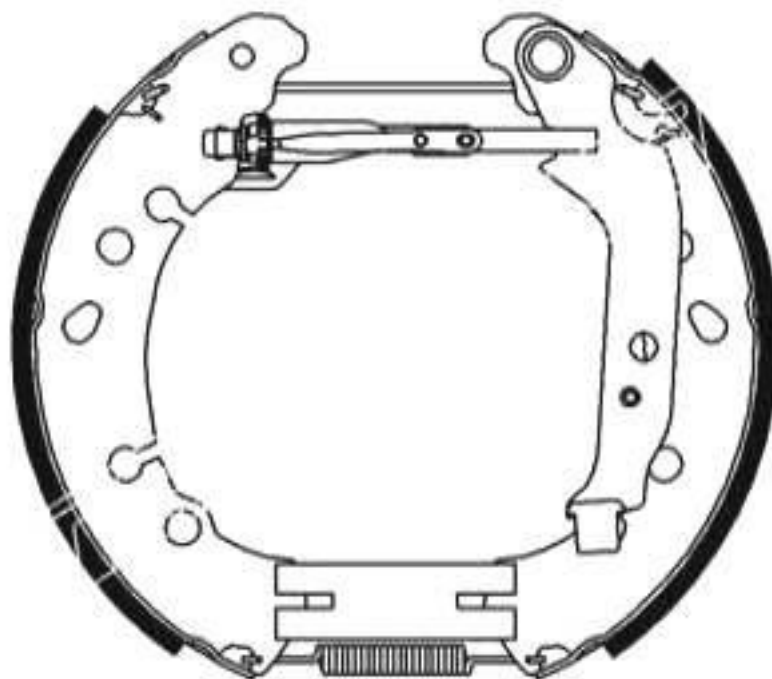
- Daihatsu / Toyota
- Trasero
- Lockheed
- Ø Tambor [mm]: 203,2
- Ancho Zapata [mm]: 38
- Ø Bombín [mm]: 20,64

RK 2088

TOYOTA - Yaris - (06-) made in France

203 x 38

Ø 20,64



DCHA - 801184



IZQ - 801184